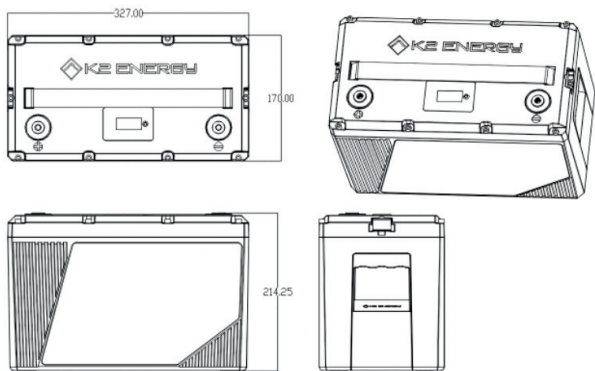
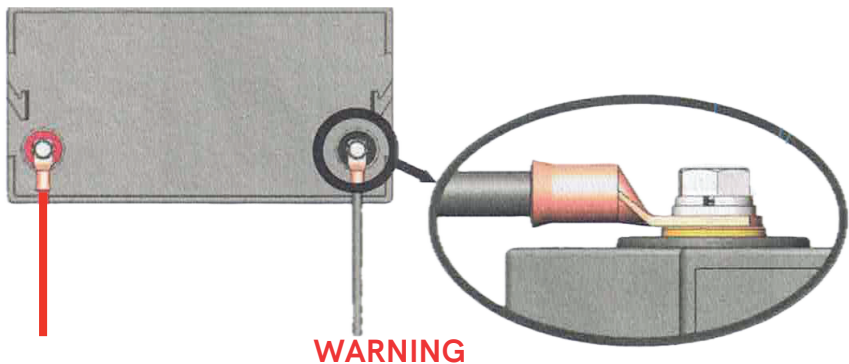


Dimensions



Installation - Bolt and washer assembly



WARNING

Reversing polarity could cause damage to load or battery

Technical Specifications

Electrical	
Battery Chemistry	LiFePO ₄ (LFP)
Rated Capacity	100Ah
Nominal Voltage	12.8V
Voltage Range	10.0-14.6V
Maximum Continuous Charging Current	50A
Maximum Continuous Discharging Current	100A
Maximum Pulse Discharging Current < 5 sec	150A
Series Connections Allowed	2
Parallel Connections Allowed	4
Cycle Life	>2000
Self-Heating	No
Environment	
Charging Operation Temperature	0°C~65°C
Discharge Operation Temperature	-20°C~65°C
Storage Temperature	-20°C~45°C
Structure	
Dimensions (L*W*H)	327*170*214.25mm
Weight	10.3 kg
Protection Featured	Overcharge, over-discharge
Communications	
Display	LCD and on/off switch
BMS communication	Bluetooth, mobile app
Certifications	
EN 38.3, EN IEC 61000-6-3:2021, EN IEC 61000-6-3:2019	Conforms

User Manual

K2B12100LFP-AU-1

Rechargeable LiFePO₄ Smart Battery



K2 Battery Pty Ltd: k2battery.com.au



Introduction

Congratulations on your purchase of this K2 Battery, with advanced lithium iron phosphate technology. K2 batteries are proven safe, reliable and durable to deliver performance as per their specifications. For more information visit k2battery.com.au

Instructions for Use

Before using the battery, thoroughly read the instruction manual and the labels on the battery.

- Before use - fully charge battery with approved Lithium battery charger.
- Avoid exposure to heat sources and high voltage, keep out of reach of children, and do not drop the battery.
- Avoid short-circuiting the terminals. Do not attempt to disassemble or expose the battery to moisture.
- Dispose of used batteries safely and properly. Do not throw batteries into fire or water.
- Store the battery pack at room temperature, charged to 40%-60%. Recharge every 3 months to prevent over-discharging.
- Use the battery under specified conditions. Batteries stored for more than one year may experience reduced performance.
- Comply with all regulations for battery transportation, including appropriate packaging, documentation, and labelling.

When using batteries in series:

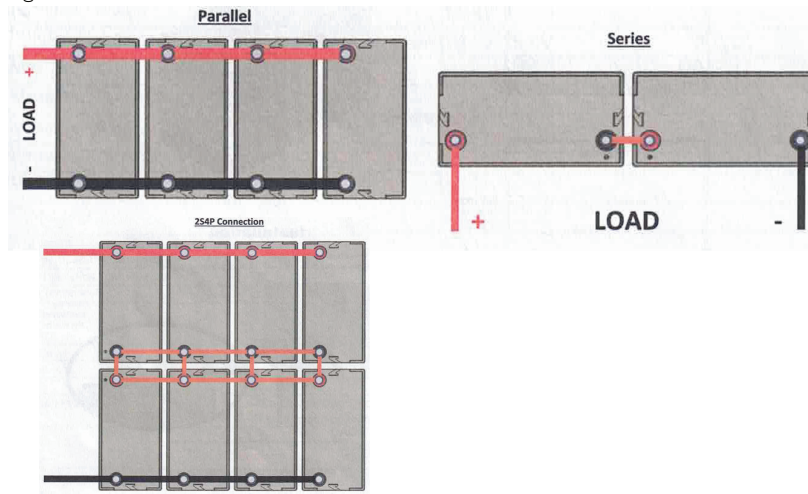
- Only use batteries from the same batch.
- Ensure the voltage difference between series-connected modules does not exceed 100mV.
- Use low-resistance, high-conductivity connectors.
- Do not connect more than two modules in series.

WARNING

Reversing polarity could cause damage to load or battery

Series and Parallel Connections

The K2B12100LFP-AU-1 battery is capable of being wired with up to 2 units in series for increased voltage (24V) and up to 4 units in parallel for increased capacity (400Ah). Wiring diagrams are shown below.



Liability Disclaimer

Before using the product, please read the product specification sheet, instruction manual, and usage precautions carefully to understand the correct application and scope of use. Improper use, incorrect circuit connections, or use of incompatible power supply and load function parameters, which are not consistent with the specified performance parameters, will be considered misuse. Our company is not liable for any resulting damage to the product, load, and peripheral connections.

Any matters not specified in this manual should be resolved through negotiation between both parties. The right to final interpretation of this specification rests with K2 Battery.

Warranty

This Products distributed by K2 Battery Pty Ltd come with guarantees that cannot be excluded under the Australian Consumer Law and apply to all LFP Batteries (the "Product") manufactured and sold by K2 Battery Pty Ltd (K2 Battery).

The Product is warranted against defects in material and workmanship under normal use and service for the following period from the date of purchase:

1. A warranty period of 60months for the product, during which K2 Battery will cover 100%of the cost of any replacement or repair of a defective Product or component wit cover the first 24 months. After the first 24 months, K2 Battery will continue to offer prorated warranty, during which K2 Battery will cover 50%of the cost of any replacement or repair of a defective Product or component.The prorated coverage will decrease by 1.38%per month, until it reaches 0% coverage at the end of the warranty period.

During the warranty period, K2 Battery will repair or replace, at its option, any defective.Product or component free of charge or at the discounted rate as described above, provided the Product is returned to K2 Battery or an authorised service centre with proof of purchase.

This warranty does not cover any damage to the Product caused by:

1. Accident, abuse, misuse, neglect, or any other abnormal use;
2. Modification, alteration, repair or service performed by any party other than K2 Battery;
3. Improper installation or application;
4. Environmental conditions, including but not limited to extreme temperatures, condensing, humidity, and corrosive atmosphere;
5. Normal wear and tear, or
6. Acts of nature, such as fire, flood, storms, or earthquake.

This warranty is the sole and exclusive warranty provided by K2 Battery regarding the Product and supersedes all other warranties, whether written or oral, express or implied,i ncluding but not limited to any warranty of merchantability or fitness for a particular purpose.

The remedies provided in this warranty are the sole and exclusive remedies available to the customer.

K2 Battery shall not be responsible for any indirect, incidental, or consequential damages arising from the use of the Product, including but not limited to lost profits or lost data.

To make a warranty claim, please contact K2 Battery at info@k2battery.com.au.